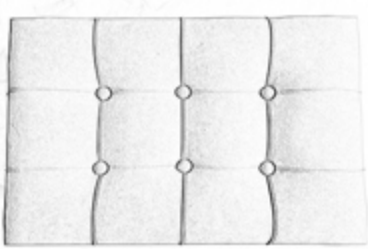
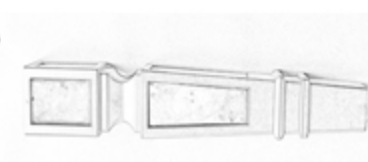


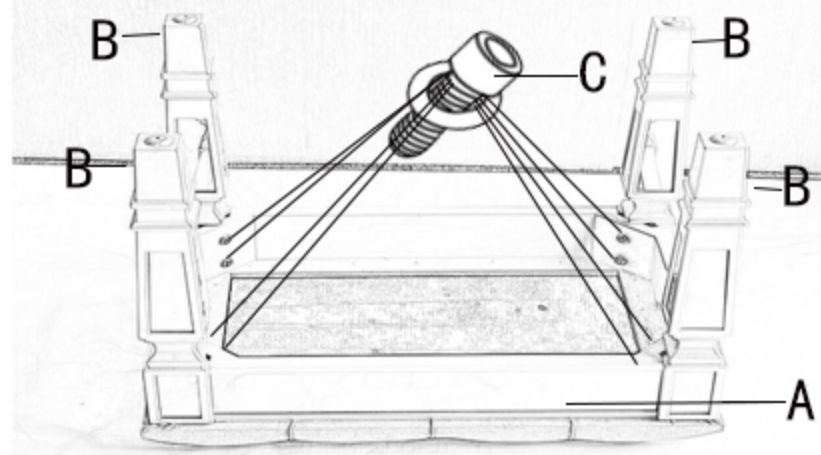
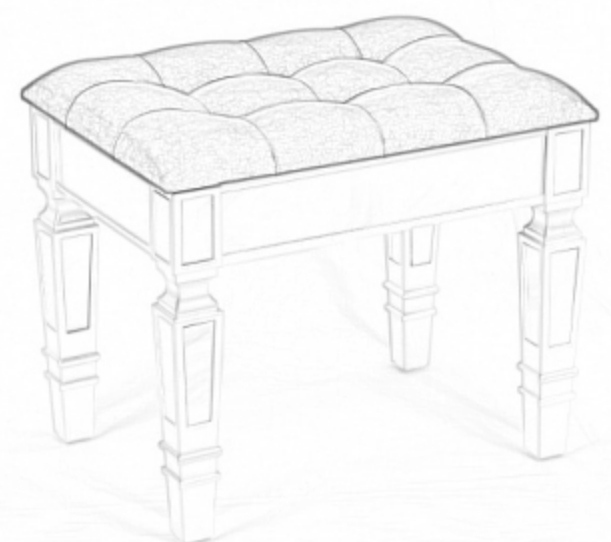


A		1PC
B		4 PC
C		8PCS
D		1PC

Assembly Manual



Step 1: Lay Part A with holes facing up on flat surface



Step 2: Parts B screw to Part A using Parts C and Part D